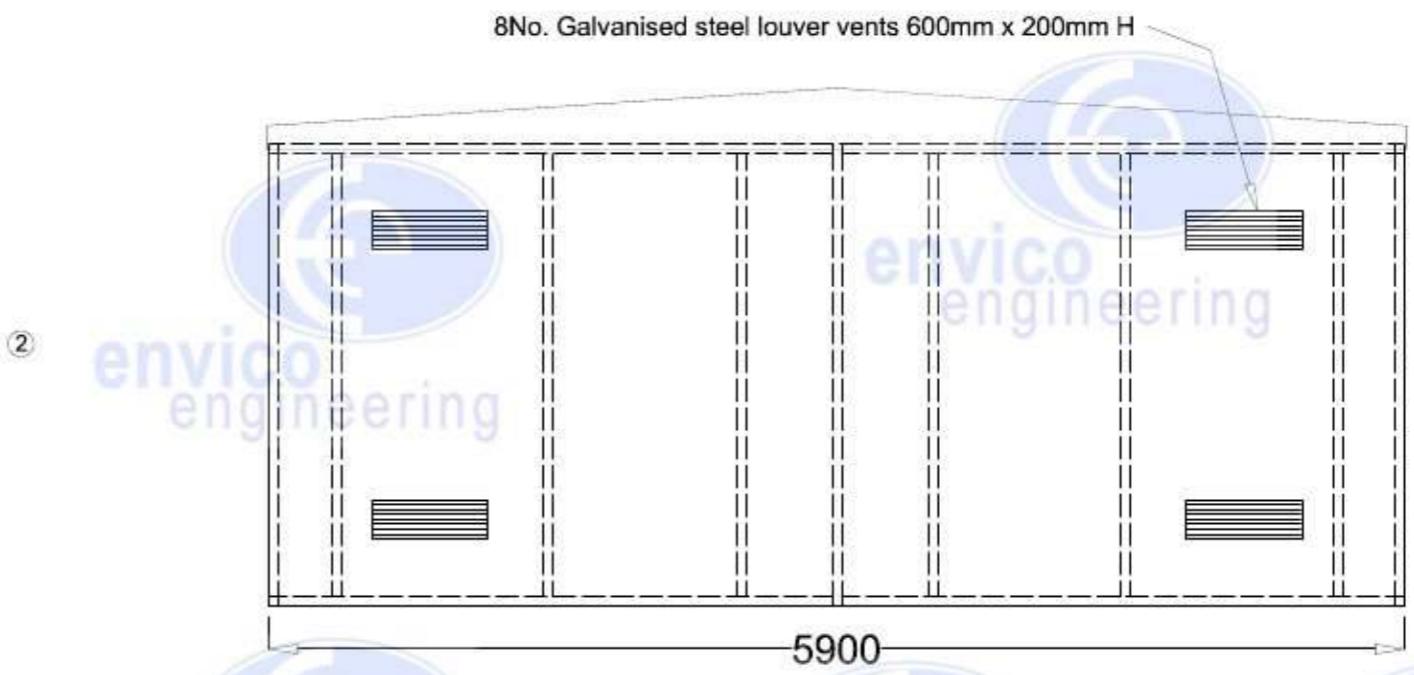


1No. Double door 2.200mm H x 2.550mm W  
 1No. Espangolette 3 point locking arrangement  
 6No. Stainless steel external hinges  
 c/w compressing seals

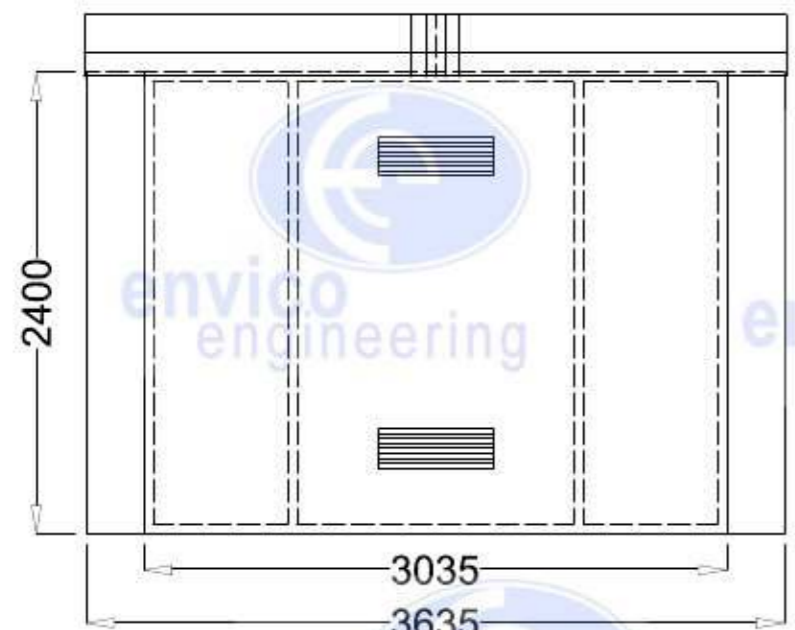


8No. Galvanised steel louver vents 600mm x 200mm H

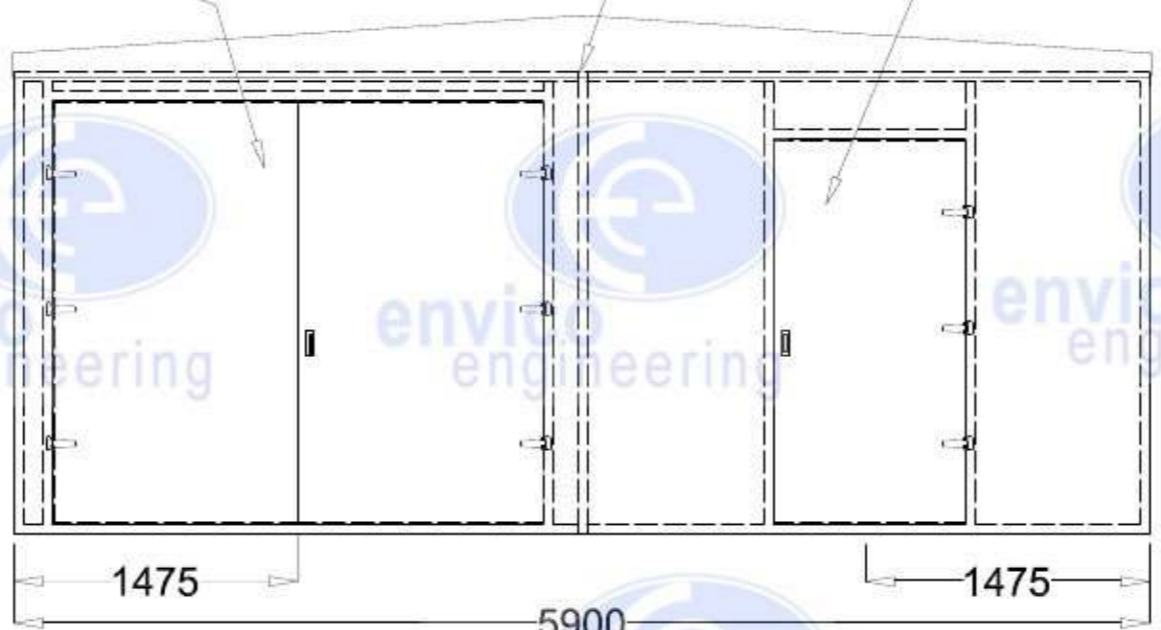
External Elevation  
Wall 4

1No. Partition wall (Full height x Full width)  
 18mm Plywood Core (Encapsulated).

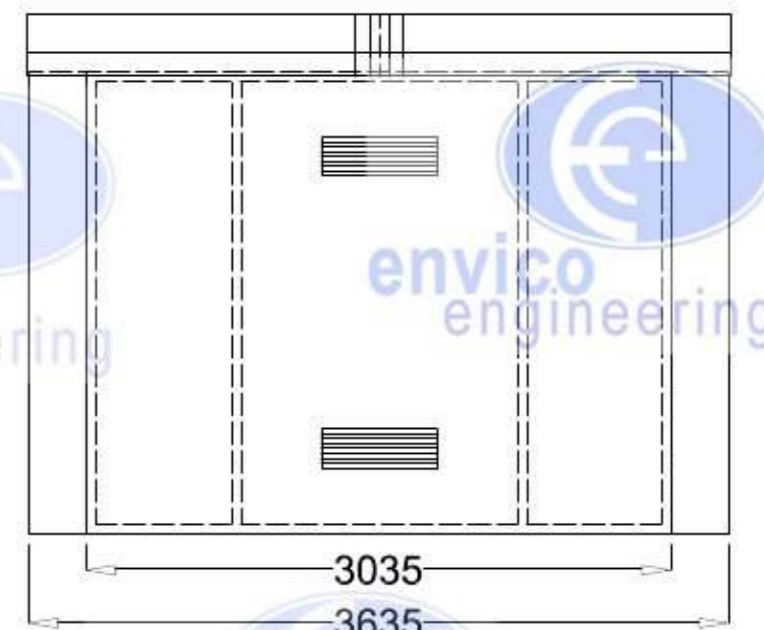
1No. Single door 2.000mm H x 1.000mm W  
 1No. Espangolette 3 point locking arrangement  
 3No. Stainless steel external hinges  
 c/w compressing seals



External Elevation  
Wall 3



External Elevation  
Wall 1



External Elevation  
Wall 2